

香港交易及結算所有限公司及香港聯合交易所有限公司對本公佈的內容概不負責，對其準確性或完整性亦不發表任何聲明，並明確表示概不就因本公佈全部或任何部分內容而產生或因依賴該等內容而引致之任何損失承擔任何責任。



山東晨鳴紙業集團股份有限公司
SHANDONG CHENMING PAPER HOLDINGS LIMITED*

(於中華人民共和國註冊成立的股份有限公司)

(股份代號：1812)

海外監管公告

本公告乃根據香港聯合交易所有限公司(「香港聯交所」)證券上市規則(「上市規則」)第13.09條而作出。

茲載列山東晨鳴紙業集團股份有限公司在深圳證券交易所網站及中國報章刊登日期為二零一一年八月四日的「山東晨鳴紙業集團股份有限公司2011年公司債券上市公告書」，僅供參閱。

承董事會命
陳洪國
主席

二零一一年八月四日

於本公佈日期，執行董事為陳洪國先生、尹同遠先生、李峰先生、耿光林先生、譚道誠先生、侯煥才先生及周少華先生；非執行董事為崔友平先生、王鳳榮女士及王效群先生；及獨立非執行董事為王愛國先生、張志元先生、王翔飛先生、王玉玫女士及張宏女士。

* 僅供識別



SHANDONG CHENMING PAPER HOLDINGS LIMITED

山东晨鸣纸业集团股份有限公司

2011年公司债券上市公告书

11

112031

20

2011 8 8

保荐人、主承销商
簿记管理人、债券受托管理人



瑞银证券有限责任公司

住所：北京市西城区金融大街7号

英蓝国际金融中心12层、15层

签署日期：2011 年 8 月

“ ” “ ” “

”

“ ”

2011

“ ”

AA+ 2011 3 31

137.71 58.68%

49.44% 2008 2009 2010

10.75 8.36 11.63

10.25 1.5

595

2,062,045,941

		2010			2009			2008	
		135,010.86	7.88%	-15.60%	159,960.21	10.84%	-9.04%	175,859.59	11.39%
		196,041.68	11.44%	-6.70%	210,125.64	14.24%	1.98%	206,039.86	13.34%
		54,453.01	3.18%	34.59%	40,457.93	2.74%	-45.20%	73,823.48	4.78%
		421,893.50	24.63%	36.67%	308,703.84	20.92%	18.22%	261,118.84	16.91%
		158,476.95	9.25%	-11.07%	178,197.37	12.08%	-16.45%	213,287.29	13.81%
		74,314.06	4.34%	25.00%	59,449.14	4.03%	-28.67%	83,347.88	5.40%
		234,039.58	13.66%	24.52%	187,953.51	12.74%	-12.93%	215,858.53	13.98%
		292,468.69	17.07%	22.14%	239,449.80	16.23%	20.26%	199,113.65	12.89%
		49,692.58	2.90%	106.27%	24,091.34	1.63%	-16.76%	28,942.98	1.87%
		44,497.30	2.60%	86.26%	23,889.26	1.62%	1.42%	23,555.16	1.53%

	38,895.78	2.27%	14.37%	34,010.00	2.31%	-33.65%	51,259.42	3.32%
	7,426.92	0.43%	136.60%	3,139.01	0.21%	-64.59%	8,863.99	0.57%
	4,719.77	0.28%	15.32%	4,092.59	0.28%	69.47%	2,414.89	0.16%
	1,051.41	0.06%	-44.44%	1,892.24	0.13%	119.08%	863.72	0.06%
	1,712,982.09	100%	16.10%	1,475,411.90	100%	-4.46%	1,544,349.27	100%

2008 2010 94%

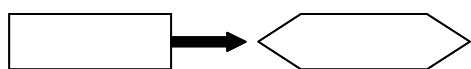
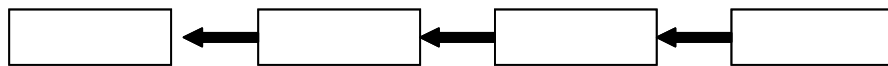
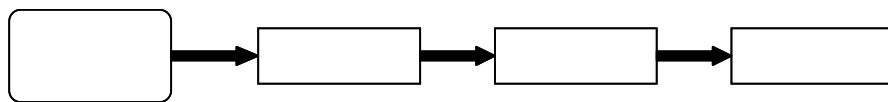
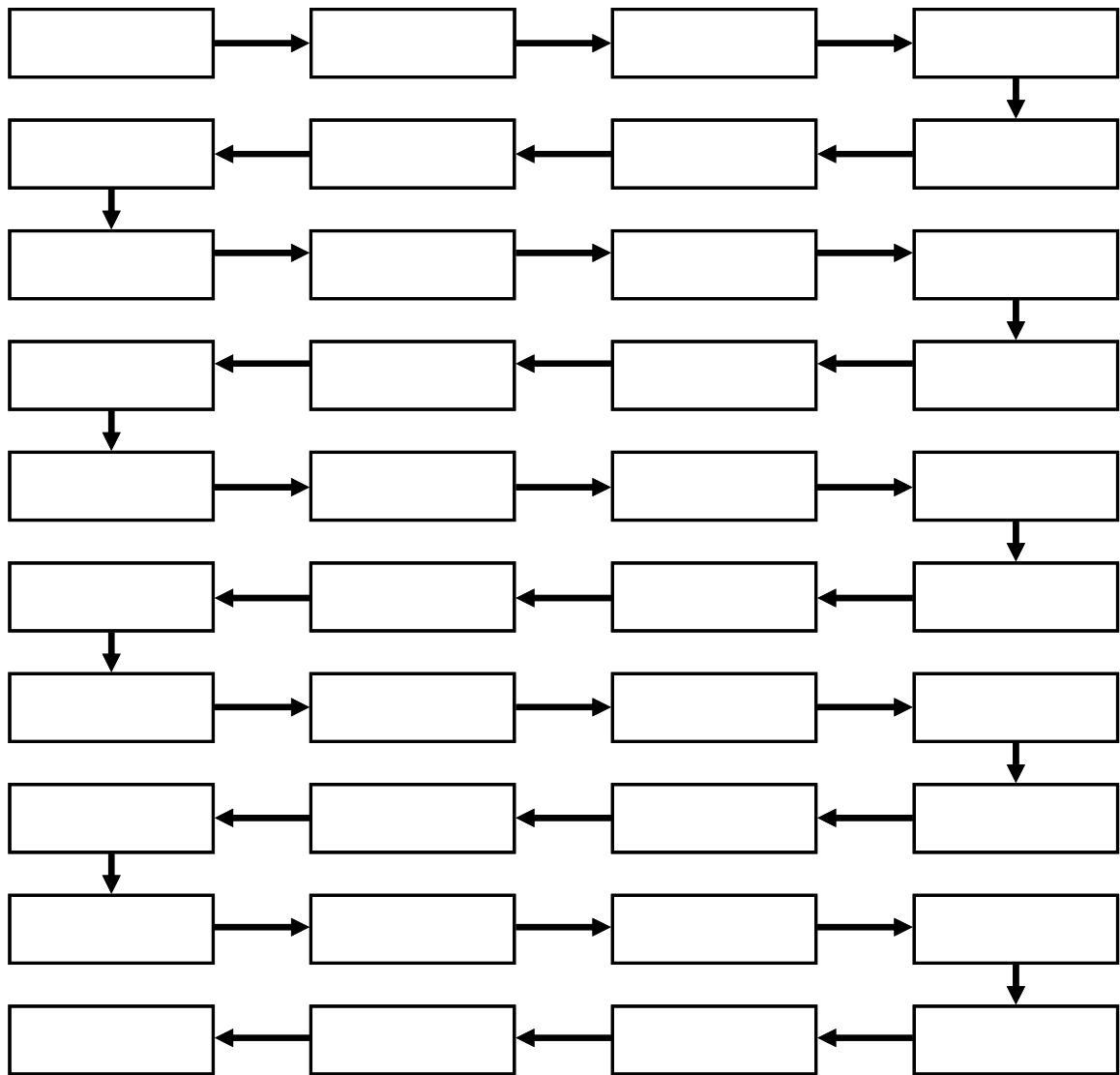
2009

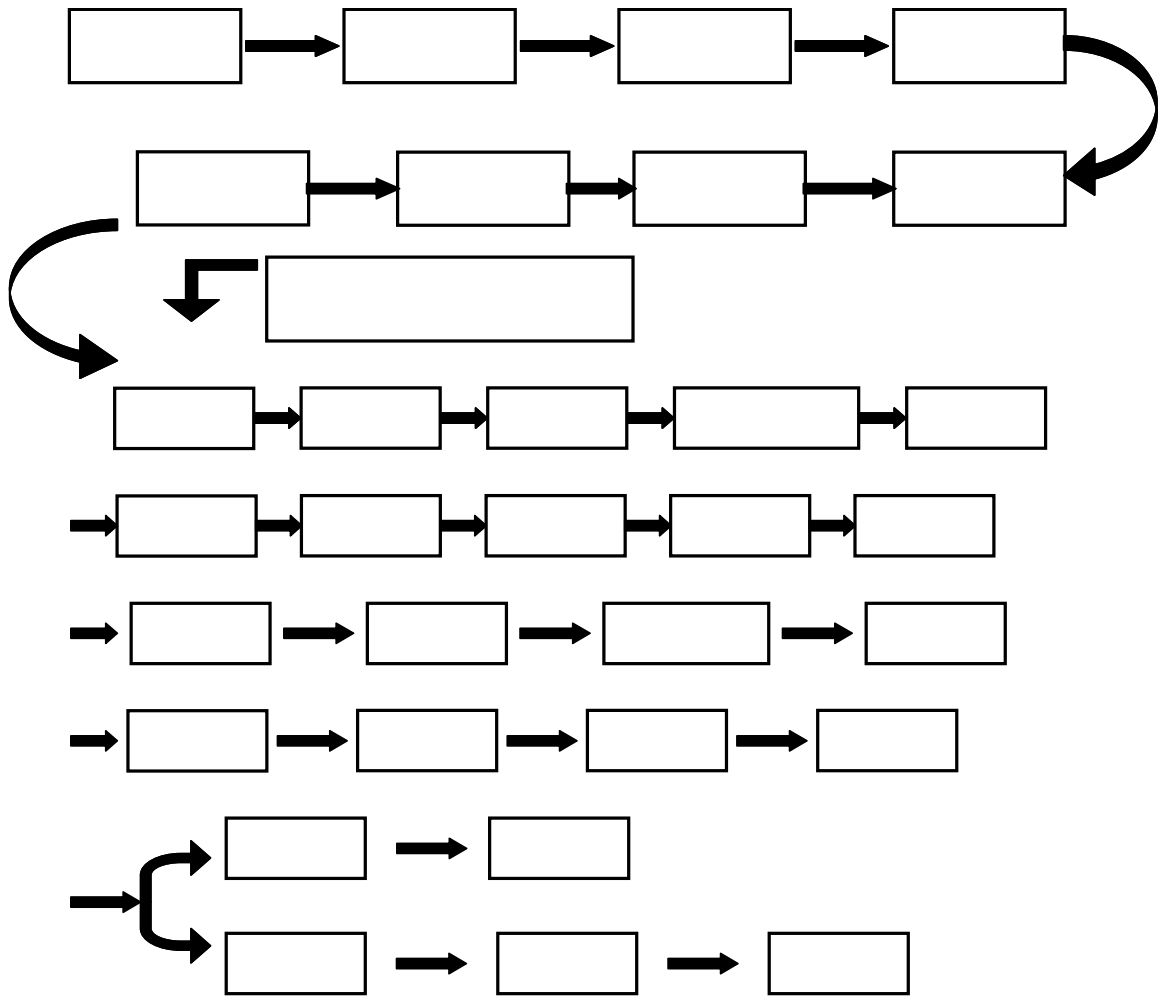
2009

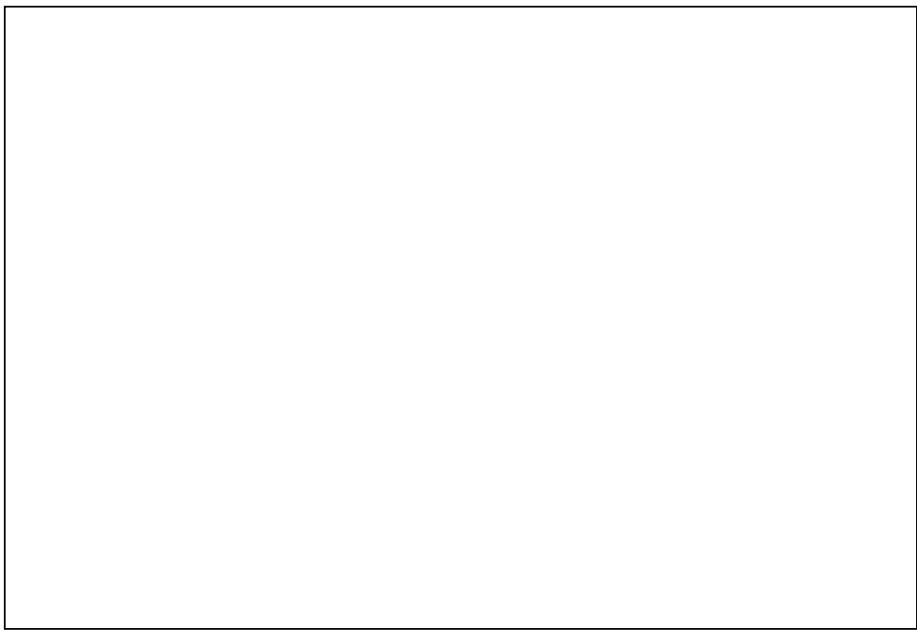
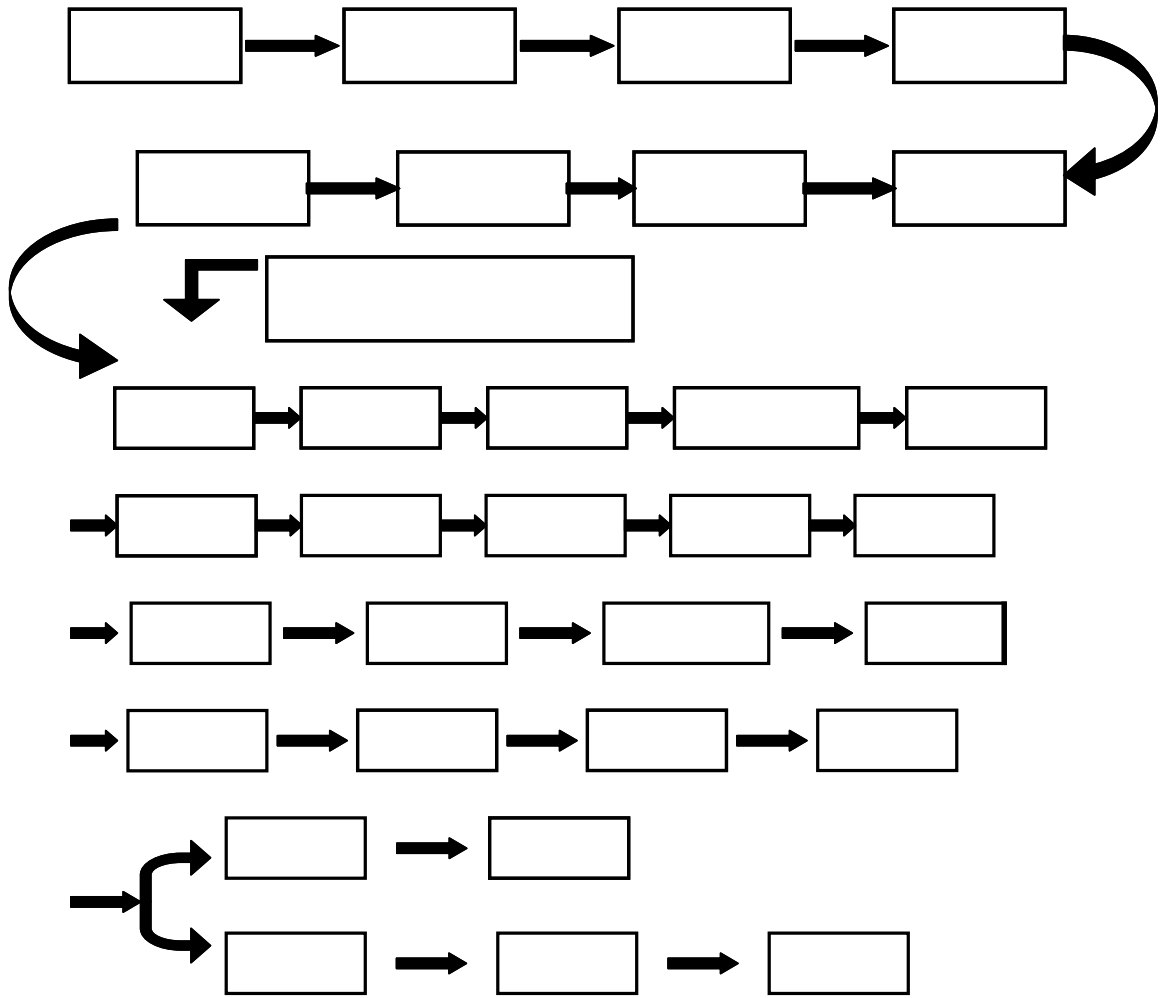
2008 4.46% 2010

2010 2009 16.10%

2010 2009







1

1958

1992 9 20

[1992]98

1993 3

18

[1993]17

1993 5 5

66,647,400

	46,497,400	69.76%
	1,558,500	2.34%
	18,591,500	27.90%
	66,647,400	100%

2

1 1996 10

1996 10 27

10 3

0.5

1996 10 27

[1996] 16 17

[1996]70

11,014,565.54

1995 12 31

2.16

5,099,000

1994

9,299,479.96

1995 1 1

12 31

1,000,000

1995 12 31

2.16

4,768,000

9,867,000

99,840,990

2 1997 2

1997 2 4

[1997]64

[1997]33

13,627,342

1997 2 4

2000 100 20

2004 9 15 2009 9 15 2004 9 30

“ ” “ 125488”

2005 3 15 2009 9 15 2009 9 15 2005 5 19

2004 2005

3 15 “ ” 9.99 “

”

2005 5 20 2004 “ ”

6.59 2006 7 7 2005 “ ”

6.47

“ ” 2006 9 21 “

” 5.50

2007 5 14 “ ”

359,754,087 2007 340,675,786

11 2006

2006 2 28

2006 3 27

2006 3 28 A

10 2.6 2006 3 29

12 2007

2007 5 11 199,944.78 “ ” A

55.20 5,520 2007 3 6 2007 4 13

A 25 5.5 / 140%

7.7 / “ ”

2007 4 18 2007 4 19 2007 4 20 2007 5 9 2007

5 10 “ ” “ ” 2007 5

14 5,520 “ ”

105% 105 /

“ ” 104.63 / 2007 5 11

“ ” 5,520 “ ” 2007 5 21

1,706,345,941

13 2008 6 H

[2008]290

“ ” H

H 9.00 355,700,000 H

35,570,000 H 320,130,000 H

H 35,570,000 H 391,270,000 H

2008 6 18 “ ”

“ 1812”

2011 3 31

	2011 3 31	
	303,011,972	14.69%
A	293,003,657	14.21%
A	10,008,315	0.48%
	1,759,033,969	85.31%
A	810,266,484	39.30%
B	557,497,485	27.04%
H	391,270,000	18.97%
	2,062,045,941	100.00%

2011 3 31

10

1		389,860,000	
2		293,003,657	

3	PLATINUM ASIA FUND	43,480,377	
4	BBH BOS S/A FIDELITY FD - CHINA FOCUS FD	29,800,890	
5	BILL & MELINDA GATES FOUNDATION TRUST	24,036,202	
6	HTHK-MANULIFE CHINA VALUE FUND	22,892,182	
7	MANULIFE GLOBAL FUND	20,324,321	
8	-005L-FH002	18,819,737	
9		14,999,927	
10	DRAGON BILLION CHINA MASTER FUND	13,853,877	

1

2005

2008

2

WTO

APP

STORA ENSO

UPM

WTO

3					
2008					
2008					2009
		2008			
1					
2					
3					
				90	
	180				
		2011 3 31		25.54	
2.37			23.17		
4					
				2011 3	
36.96					

5

2010

65.09

2011

84.50

1

2

“

”

“

”

3

4

2009 11 6

“ ”

2011

2 4

5

1994 1998

“ ”

1998[1802]

12%

2001

2002

24%

[2000]49

[1999]290

40%

2009 8 18

2009

2009 -2011

15%

[2011]1019

“ ”

1
“ ” A

2 A

“ ”

100

5

5.95%

2011 7 6 T

2012 2016 7

6

1

2016 7 6

“ ”

AA+

AA+

200,000

13,127.1

186,872.9

2011 7 11

(“ ”)

[2011] 149

[2011]

150

[2011] 151

[2011]232

2011 8 8

“ 11 ”

“ 112031”

2008 2009 2010 2011

2008 2009

2010

09 PP0262 10 P0644

[2011] 03598

	2011 3 31	2010 12 31	2009 12 31	2008 12 31
	172,524.85	195,185.49	289,292.32	285,341.81
	-	-	1,490.00	-
	274,024.28	276,238.99	270,479.91	97,400.98
	231,695.99	212,257.88	152,899.15	175,240.93
	79,127.85	92,435.45	100,077.29	46,252.63
	24,606.22	11,763.44	8,121.06	13,588.96
	369,612.45	304,707.82	222,657.95	339,779.29

	105,872.70	65,857.21	9,075.62	15,199.30
	1,257,464.35	1,158,446.29	1,054,093.30	972,803.92
	6,033.94	6,720.19	8,098.47	9,267.38
	2,425.36	2,468.82	2,642.65	2,816.47
	1,302,573.17	1,288,235.84	1,352,959.09	1,421,344.18
	910,256.26	787,151.26	199,796.13	43,137.93
	17,745.41	11,648.11	4,291.30	4,207.99
	145,086.35	145,945.32	131,342.89	127,707.66
	2,028.38	2,028.38	2,028.38	2,028.38
	18,334.23	17,643.70	3,241.19	3,722.77
	14,395.85	14,751.05	13,142.60	12,791.64
	76,639.36	72,674.26	49,672.50	30,121.27
	2,495,518.32	2,349,266.92	1,767,215.18	1,657,145.66
	3,752,982.67	3,507,713.21	2,821,308.49	2,629,949.57

	2011	2010	2009	2008
	3 31	12 31	12 31	12 31
	567,275.84	359,415.72	310,315.38	151,694.50
	-	-	645.00	19.89
	82,589.63	21,875.72	54,453.25	36,762.76
	308,682.87	270,806.47	212,286.09	264,230.82
	24,963.73	41,024.36	23,312.37	10,169.36
	12,696.34	16,942.67	24,550.13	19,020.91
	14,449.80	13,402.94	13,749.11	4,996.60
	-	-	505.00	-
	-	-	7.88	3.61
	69,190.26	58,205.25	32,122.06	34,622.62
	142,349.25	143,284.15	34,535.35	103,812.52
	186,387.79	341,249.39	-	194,187.44
	1,408,585.52	1,266,206.66	706,481.62	819,521.03
	550,496.01	472,562.87	508,742.42	401,925.08
	-	-	12,189.06	5,682.84
	134.03	134.03	1,240.86	643.15
	242,993.38	242,789.75	118,948.44	-
	793,623.42	715,486.65	641,120.78	408,251.07

	2,202,208.94	1,981,693.31	1,347,602.41	1,227,772.11
	206,204.59	206,204.59	206,204.59	206,204.59
	609,349.30	609,349.30	609,348.38	609,348.38
	104,651.07	104,651.07	90,692.90	82,547.69
	456,914.22	433,373.19	392,858.63	327,719.28
	-12.43	0.42	85.92	87.95
	13,771,06.75	1,353,578.58	1,299,190.43	1,225,907.89
	173,666.98	172,441.32	174,515.65	176,269.58
	1,550,773.73	1,526,019.90	1,473,706.08	1,402,177.47
	3,752,982.67	3,507,713.21	2,821,308.49	2,629,949.57

	2011	2010	2009	2008
	421,577.90	1,720,312.30	1,488,462.93	1,552,959.34
	421,577.90	1,720,312.30	1,488,462.93	1,552,959.34
	398,111.92	1,580,191.18	1,390,468.63	1,421,639.66
	346,335.96	1,368,300.15	1,205,741.59	1,255,676.23
	1,761.04	3,011.75	1,626.88	1,258.24
	20,283.62	87,377.92	77,468.60	70,559.56
	23,548.00	87,113.82	72,635.17	56,119.45
	6,885.05	23,345.57	31,268.70	28,713.65
	-701.75	11,041.98	1,727.70	9,312.53
	-	4,630.23	1,831.18	265.67
	-686.25	-1,376.28	-1,568.91	-2,308.18
	-686.25	-1,386.31	-1,568.91	-2,316.76
	22,779.73	143,375.07	98,256.58	129,277.17
	9,369.37	17,941.80	20,173.84	27,436.62
	174.40	5,081.42	1,138.16	1,179.86
	-	4,212.89	1,049.65	500.74

	2011	2010	2009	2008
	31,974.70	156,235.46	117,292.26	155,533.93
	6,718.01	26,069.64	21,901.12	29,579.79
	25,256.69	130,165.81	95,391.14	125,954.15
	23,541.03	116,334.11	83,594.80	107,529.17
	1,715.66	13,831.71	11,796.34	18,424.97
	0.11	0.56	0.41	0.57
	-	-	-	-
	-12.86	-85.50	-2.03	57.56
	25,243.83	130,080.31	95,389.12	126,011.71
	23,528.17	116,248.61	83,592.77	107,586.73
	1,715.66	13,831.71	11,796.34	18,424.97

	2011	2010	2009	2008
	437,372.99	1,662,877.50	1,468,648.30	1,658,397.85
	907.23	3,593.42	1,952.40	3,385.19
	20,974.14	38,965.11	27,285.46	23,709.78
	459,254.36	1,705,436.03	1,497,886.15	1,685,492.82
	359,262.91	1,333,067.97	1,096,173.24	1,212,317.56
	20,706.02	85,875.77	58,386.78	69,657.48
	46,112.83	137,508.32	90,903.03	131,293.56

	9,665.72	63,951.07	88,519.67	78,810.14
	435,747.48	1,620,403.13	1,333,982.73	1,492,078.74
	23,506.89	85,032.89	163,903.43	193,414.08
	-	100.00	200.00	-
	-	2.00	-	8.59
	95.39	8,762.42	4,041.77	60.38
	301.60	3,533.70	6,893.91	5,782.32
	396.99	12,398.12	11,135.68	5,851.29
	163,111.04	650,764.97	223,267.12	154,279.88
	-	101.00	600.00	1,956.46
	-	-	713.18	-
	163,111.04	650,865.97	224,580.31	156,236.35
	-162,714.05	-638,467.84	-213,444.63	-150,385.05
	-	-	-	271,119.19
	463,233.06	632,226.58	1,123,228.01	600,205.15
	-	-	-	189,240.00
	-	437,690.00	120,000.00	-
	-	42,897.01	-	-

	463,233.06	1,112,813.59	1,243,228.01	1,060,564.34
	178,374.70	510,491.06	927,517.35	754,663.04
	8,039.27	99,138.00	64,892.56	85,890.26
	154,965.00	–	190,000.00	50,000.00
	42,069.50	–	43,055.01	3,904.36
	383,448.47	609,629.06	1,225,464.92	894,457.66
	79,784.59	503,184.53	17,763.08	166,106.68
	-256.67	-959.40	-246.38	-1,760.44
	-59,679.24	-51,209.82	-32,024.50	207,375.27
	185,523.60	236,733.42	268,757.92	61,382.65
	125,844.36	185,523.60	236,733.42	268,757.92

2010

	206,204.59	609,348.38	90,692.90	392,858.63	85.92	174,515.65	1,473,706.08
	-	-	-	-	-	-	-
	-	-	-	-	-	-	-
	-	-	-	-	-	-	-
	206,204.59	609,348.38	90,692.90	392,858.63	85.92	174,515.65	1,473,706.08
	-	0.92	13,958.16	40,514.57	-85.50	-2,074.33	52,313.82

	-	-	-	116,334.11	-	13,831.71	130,165.81
	-	-	-	-	-85.50	-	-85.50
()	-	-	-	116,334.11	-85.50	13,831.71	130,080.31
	-	0.92	-	-	-	-1.92	-1.00
1.	-	-	-	-	-	-	-
2.	-	-	-	-	-	-	-
3.	-	0.92	-	-	-	-1.92	-1.00
	-	-	13,958.16	-75,819.54	-	-15,904.11	-77,765.49
1.	-	-	13,958.16	-13,958.16	-	-	-
2.	-	-	-	-	-	-	-
3.	-	-	-	-61,861.38	-	-15,904.11	-77,765.49
()	-	-	-	-61,861.38	-	-15,904.11	-77,765.49
4.	-	-	-	-	-	-	-
	-	-	-	-	-	-	-
	206,204.59	609,349.30	104,651.07	433,373.19	0.42	172,441.32	1,526,019.90

	2011	2010	2009	2008
	3 31	12 31	12 31	12 31
	33,329.61	70,410.92	203,793.03	214,243.97
	218,488.07	152,734.94	191,564.60	46,568.11
	84,636.18	162,193.96	138,720.85	193,728.03
	83,718.38	91,963.85	82,681.70	43,875.94
	2,550.00	2,550.00	18,836.30	16,487.50
	540,065.68	477,307.46	204,512.34	93,646.85

	119,764.76	79,844.76	90,147.17	168,265.71
	177,872.13	179,962.58	168,800.00	98,200.00
	6,913.47	-	3,592.79	5,274.72
	1,267,338.28	1,216,968.46	1,102,648.76	880,290.83
	50,000.00	50,000.00	39,500.00	96,500.00
	627,088.72	595,788.77	409,167.05	408,185.96
	2,425.36	2,468.82	2,642.65	2,816.47
	502,003.02	516,250.59	574,104.85	625,861.86
	65,338.86	37,788.20	13,944.03	5,978.89
	1,946.56	1,878.98	659.21	198.14
	32,770.98	32,993.48	34,913.03	36,450.94
	-	-	-	-
	-	-	-	-
	5,104.05	6,030.52	7,347.94	7,860.57
	-	-	-	-
	1,286,677.56	1,243,199.37	1,082,278.76	1,183,852.83
	2,554,015.84	2,460,167.83	2,184,927.52	2,064,143.65

	2011	2010	2009	2008
	3 31	12 31	12 31	12 31
	349,360.87	217,718.35	263,791.50	114,406.83
	-	-	645.00	-
	75,435.82	12,414.57	45,691.43	21,015.10
	120,736.96	99,542.58	134,962.91	171,603.18
	40,582.93	28,480.81	16,887.89	6,601.95
	8,178.06	10,604.05	13,353.09	9,888.84
	4,225.60	3,689.92	7,006.61	1,615.62
	-	-	505.00	-
	-	-	7.88	3.61
	24,054.15	24,817.03	22,595.93	28,309.92
	135,233.20	136,095.10	25,242.30	88,360.26
	185,719.06	340,595.85	-	194,187.44
	943,526.65	873,958.26	530,689.54	635,992.75
	88,228.64	85,222.27	341,835.80	306,407.60

	-	-	1,122.23	553.75
	-	-	-	-
	231,039.63	230,935.53	118,948.44	-
	319,268.28	316,157.80	461,906.47	306,961.36
	1,262,794.93	1,190,116.06	992,596.01	942,954.11
	206,204.59	206,204.59	206,204.59	206,204.59
	618,421.60	618,421.60	618,421.60	618,421.60
	103,432.11	103,432.11	89,473.95	81,328.73
	363,162.61	341,993.46	278,231.37	215,234.62
	1,291,220.91	1,270,051.77	1,192,331.51	1,121,189.54
	2,554,015.84	2,460,167.83	2,184,927.52	2,064,143.65

	2011	2010	2009	2008
	192,178.58	1,395,964.52	1,335,797.82	1,355,778.23
	155,580.80	1,175,798.64	1,161,973.46	1,194,992.27
	967.86	849.95	45.26	30.66
	6,191.99	43,772.42	45,828.97	34,078.79
	10,068.71	43,574.67	28,589.74	20,783.03
	5,658.03	20,895.84	26,606.48	19,796.17
	-2,516.44	1,402.09	2,160.36	1,193.25
“ ”	-	645.00	-645.00	-
“ ”	2,306.59	48,388.94	19,281.97	30,296.79
	-686.25	-1,386.31	-1,568.91	-2,316.76
“ ”	18,534.22	158,704.86	89,230.53	115,200.85
	6,736.44	5,152.27	9,894.58	14,269.34
	106.92	3,718.89	519.44	598.39
	-	3,678.69	493.30	138.83

“ ”	25,163.74	160,138.24	98,605.67	128,871.80
	3,994.60	20,556.60	17,153.48	27,137.87
“ ”	21,169.14	139,581.63	81,452.20	101,733.93
	-	-	-	-
	21,169.14	139,581.63	81,452.20	101,733.93

	2011	2010	2009	2008
	179,730.27	1,316,418.28	1,180,901.35	1,281,608.06
	-	-	-	-
	7,724.36	5,699.04	23,294.70	16,342.19
	187,454.63	1,322,117.32	1,204,196.05	1,297,950.25
	117,555.23	1,092,863.37	944,961.84	1,085,161.77
	5,927.39	34,454.11	23,187.36	27,273.56
	19,531.45	65,989.64	52,417.43	78,247.24
	18,260.06	245,829.83	166,793.64	51,120.56
	161,274.14	1,439,136.95	1,187,360.28	1,241,803.13
	26,180.49	-117,019.63	16,835.77	56,147.12

--	--	--	--	--

	-	40,998.47	-	5,055.71
	229,690.72	802,628.21	1,041,511.45	998,640.74
	95,903.73	515,773.62	799,726.12	689,097.99
	5,315.78	82,961.58	47,616.85	59,677.10
	154,965.00	-	190,000.00	-
	12,837.10	-	46,025.02	-
	269,021.60	598,735.20	1,083,367.98	748,775.08

	-	-	-	-	-
	-	-	-	-	-
	-	-	-	-	-

	0.41	0.79	0.94
	0.56	0.41	0.57
	0.56	0.41	0.57

/

1=

/

2=

/

9 —

2010

1

	2010 12 31	2009 12 31	2008 12 31
	1,353,578.58	1,299,190.43	1,225,907.89
	2010	2009	2008
	116,334.11	83,594.80	107,529.17
	8.80%	6.63%	10.24%
	8.59%	6.43%	8.77%
	12,910.73	12,084.49	22,102.28
	103,423.38	71,510.30	85,426.89
	7.87%	5.68%	8.13%
	7.64%	5.50%	6.97%

2

/

	2010	2009	2008
	0.56	0.41	0.57

	2010	2009	2008
	0.50	0.35	0.45
	0.56	0.41	0.57
	0.50	0.35	0.45

1 —

— 2008

	2010	2009	2008
	-549.56	184.89	-121.94
	9,653.03	14,029.03	17,808.42
	5.48	32.92	10.34
	-	-	-
	591.34	1,794.87	2,347.79
	5,627.34	2,988.81	6,972.62
	15,327.63	19,030.52	27,017.23
	-496.19	-5,369.82	-3,467.93
	14,831.44	13,660.70	23,549.30
	12,910.73	12,084.49	22,102.28

2011 7 6Ü

EM, SC&M, A

	2010	1330 2009	2008		139.60		
133.58	135.58			13.96	8.14	10.17	
				-11.7	1.68	5.61	
					2010		
			2009	2010			
				2010			

12

”

“

2010

- 1
- 2
- 3
- 4

2011 5 19

www.cninfo.com.cn

www.chenmingpaper.com

/

/

/

120%

7

12 15

010 58328888

010 58328954

2011

“

”

“

5

6

7

8

1

/

2

3

/

4

/

5

10%

6

7

10%

8

10%

9

10

11

12

9

10

i

ii

iii

11

41

A

=

1

2

3

4

1

2

3

/

5

6

7

/

/

8

9

10

11

12

13

15

14

15

16

17

/

18

1

2

3

1

1

30

2

20%

30

3

4

2

1

2

3

i

ii

iii

4

3

1

50%

2

i

a

b

c

d

ii

iii

50%

1

1

2

3

4

5

60

2

1

2

3

4

/

20%

/

/

5

1

2

1

30

1

2

3

4

5

2

1

2

3

,

4

5

6

7

8

2011

“

”

1

2

3

4

5

2011

6

1

1

2

3

4

5

6

7 / 30%

2

5

5

/

30%

5

3

30%

30%

4

1

2

3

4

1

15

2

1

2

3

4

5

5

3

4

/

30%

5

6

5

1

/

/

/

2 / 30%

3

4

1

2

3

4

5

“ ”

6

1

20%

2

7

/

/

8

1

2

9

10

1

2

3

4

5

6

7

11

12

1

2

3

2010

80%

595

0536 215 6108

0536 215 8349

7

12 15

010 5832 8888

010 5832 8954

35

A 8-9

010 8809 5588

010 8809 1199

222

30

010 8520 7788

010 8518 1218

599 1 968

021 5101 9090 010 8520 7788

2011

2011

2011

(本页无)

之盖章页) 文, 为《山东晨鸣纸业集团

股份有限公司 2011 年公司

债券上市公

公告书》

发行人: 山东晨鸣纸业身

集团股份有

2011年 8

有限公司

月 日

（本页无正文，为《山东晨鸣纸业集团股份有限公司 2011 年公司债券上市公告书》之盖章页）

保荐人（主承销商）：瑞银证券有限责任公司

